

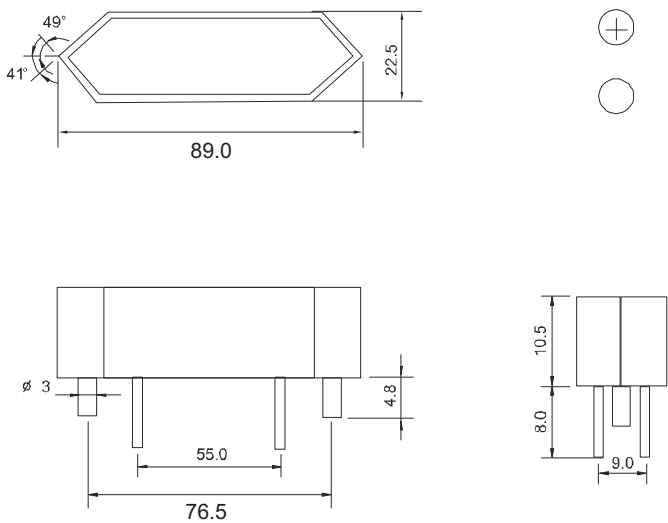
DESCRIPTION

- 203.20mm (8.0") Single Digit Numeric Display Series With or Without PCB.
- Ultra Bright
- Low Current Operation
- Excellent Character Appearance
- Easy Mounting on PC Boards

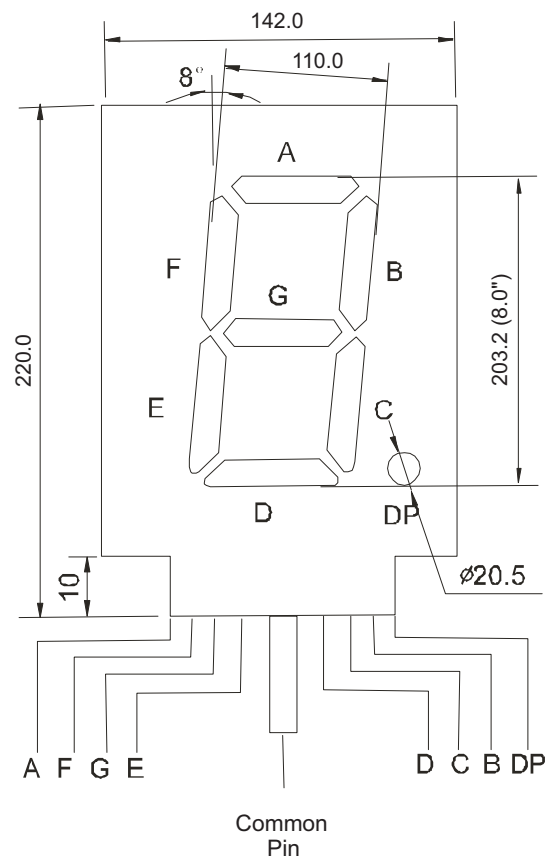


Package Dimensions & Internal Circuit Diagram

80011 xx Series



ASSEMBLY BOARD



Notes:

All dimensions are in millimeters (inches)
 Tolerance is ±0.25 (0.01") unless otherwise noted.
 Specifications are subject to change without prior notice.

Absolute Maximum Ratings (Ta = 25⁰ C)

Parameter	Symbol	Test Condition	Value		Unit
			Min	Max	
Reverse Voltage	V _R	IR= 30μA	5	-----	V
Forward Current	I _f	-----	-----	60	mA
Power Dissipation	P _d	-----	-----	100	mW
Pulse Current	I _{peak}	Duty = 0.1ms, 1KHz	-----	450	mA
Operating Temperature	T _{opr}	-----	-40	+85	°C
Storage Temperature	T _{str}	-----	-40	+85	°C

XX :Surface / Epoxy Color :

Surface Color Number	White 0	Black 1	Gray 2	Red 3	4	5
Epoxy Color Number	White Diffused 0	Red Diffused 1	Green Diffused 2	Yellow Diffused 3	Blue Diffused 4	Water Clear 5